



H301-EC-LG-BL

Compatible with the following Z-Piezo stages

- LEICA super Z Galvo stage (SP5/SP8)

Compatible with the following Okolab Controllers

- H301-T-BL-PLUS
- UNO-COMBINED-CONTROLLER
- H401-T-DUAL

Index

1. Components and dimensions.....	3
2. Sample Holders.....	4
2.1 Available Sample Holders.....	4
3. Insertion of the Sample Feedback Temperature Sensor.....	5
4. Insertion of Sample Holder into Chamber.....	5
5. Working with 35 or 60 mm Petri Dish.....	6
6. Working with 1x3'' and 1x2'' chamber slides.....	7
7. Connecting the Gas Supply.....	8
8. Working with Perfusion.....	8
9. Connecting the Chamber with Super Z-Galvo stage.....	9

1. Components and dimensions

H301-EC-LG-BL includes the following components:

- Chamber main body with embedded temperature sensor.
- Heated glass lid with Indium Tin Oxide (ITO) conductive coating and embedded temperature sensor.
- Total chamber weight: 120g.

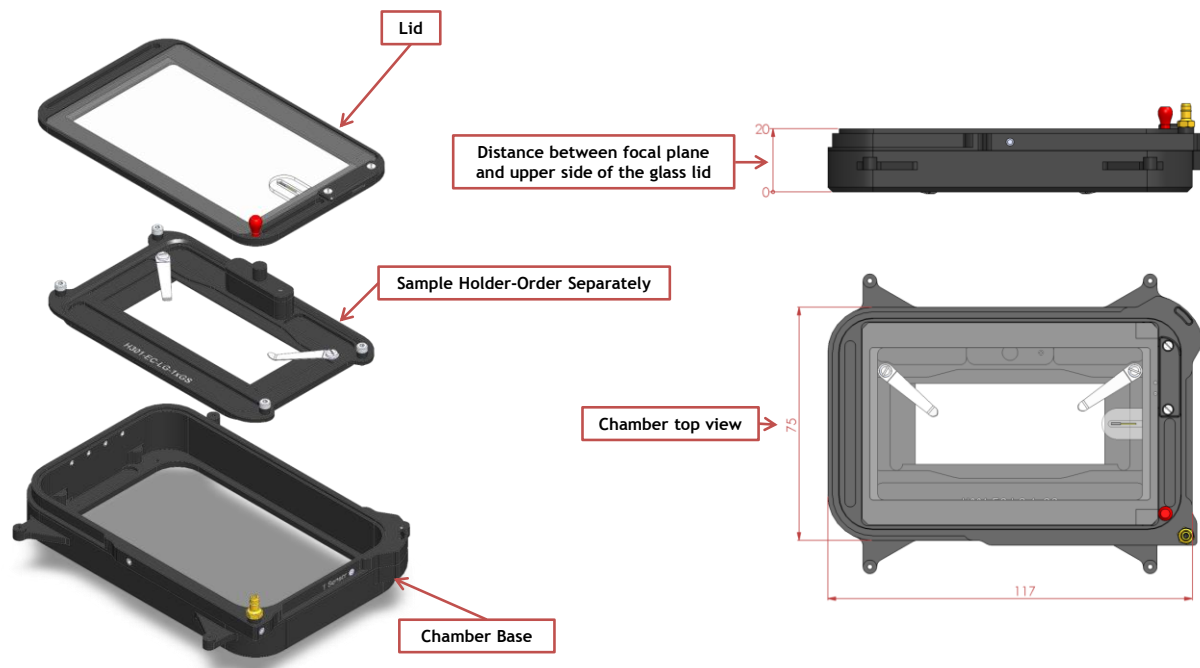


Figure 1. H301- EC-LG-BL - Components and Dimensions.

2. Sample Holders

2.1 Available Sample Holders

The following sample holders are available.

NOTE: Please contact info@oko-lab.com if you cannot find the sample holder you are looking for. We are constantly adding new inserts to the list.

H301-EC-LG-1x35	#1 35mm Petri-dish holder
H301-EC-LG-1xGS	#1 standard chamber slide holder
H301-EC-LG-1x60	#1 60mm Petri-dish holder
H301-EC-LG-1xLABTEK	#1 Lab-TeK 1"x2" chambered cover glass holder
H301-EC-LG-1xLABTEK-II	#1 Lab-TeK II 1"x2" chambered cover glass holder

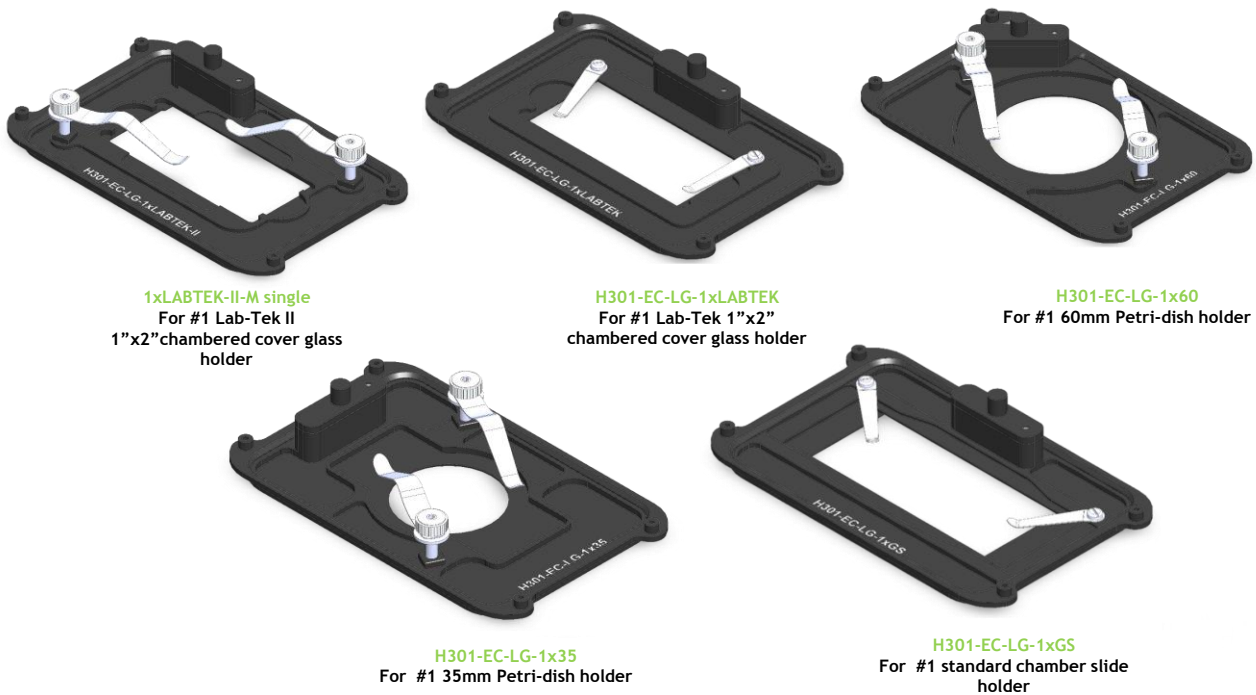


Figure 2. Available sample holders.

3. Insertion of the Sample Feedback Temperature Sensor

Insert the Sample Feedback Temperature Sensor through one of 4 perfusion holes (see par.8 Figure 10) located in the H301-EC-LG-BL riser (see Figure 3, Frontal and 3D views). Small screws plug the perfusion holes when not in use. (Grub screws M3x6). Remove small screw as necessary before introducing the sample Feedback Temperature Sensor.

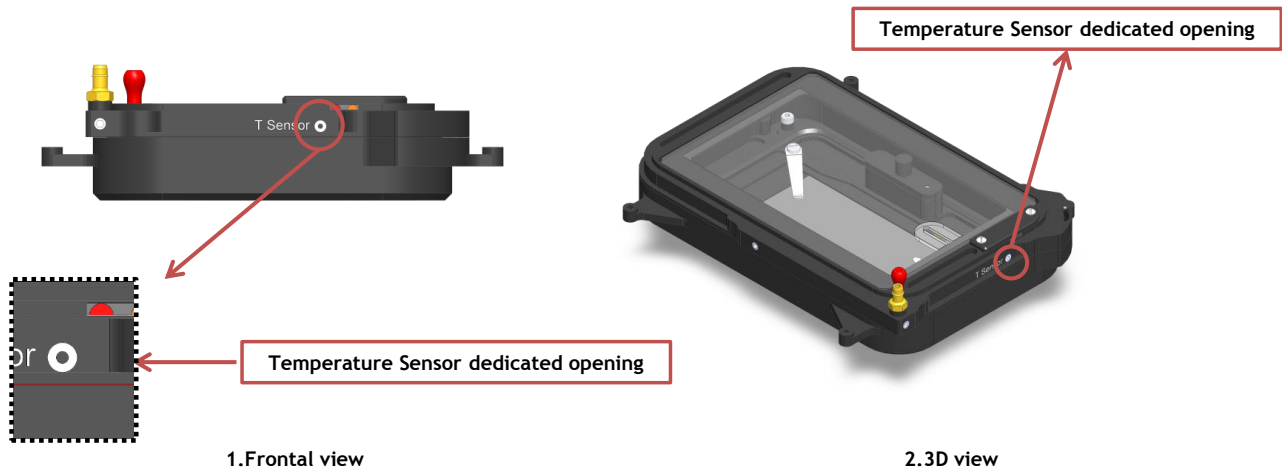


Figure 3. Insertion of the temperature sensor inside the chamber.

4. Insertion of Sample Holder into Chamber

Sample holders fit into the chamber base and are held in place by 4 screws (Slotted Pan Head Screw M2x3). To introduce a sample holder with the proper orientation and to screw it to the chamber, see Figure 4.

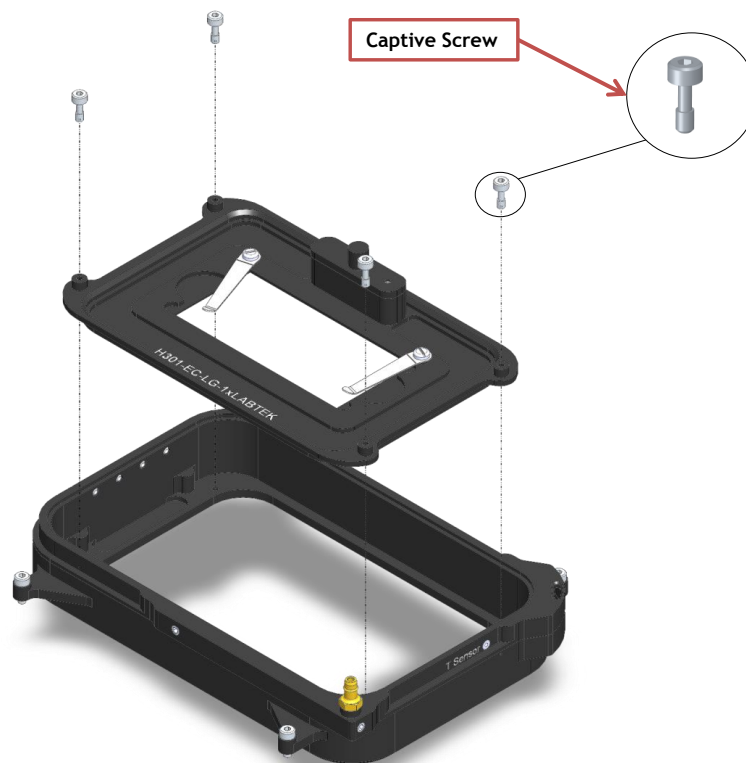


Figure 4. Introduction of the Specimen Holder inside the Chamber Base.

5. Working with 35 or 60 mm Petri Dish-

Flat springs prevent movement of 35 and 60 mm dishes inside of the sample holder (See Figure 5 and Figure 6).

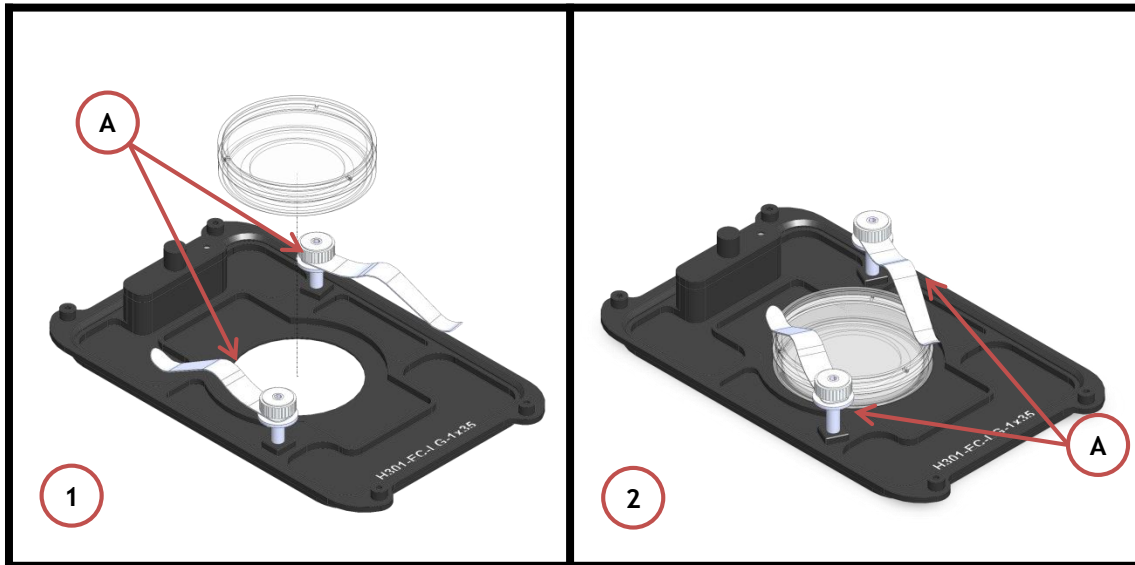


Figure 5. Plate adapter for 35mm Petri-dish holder.

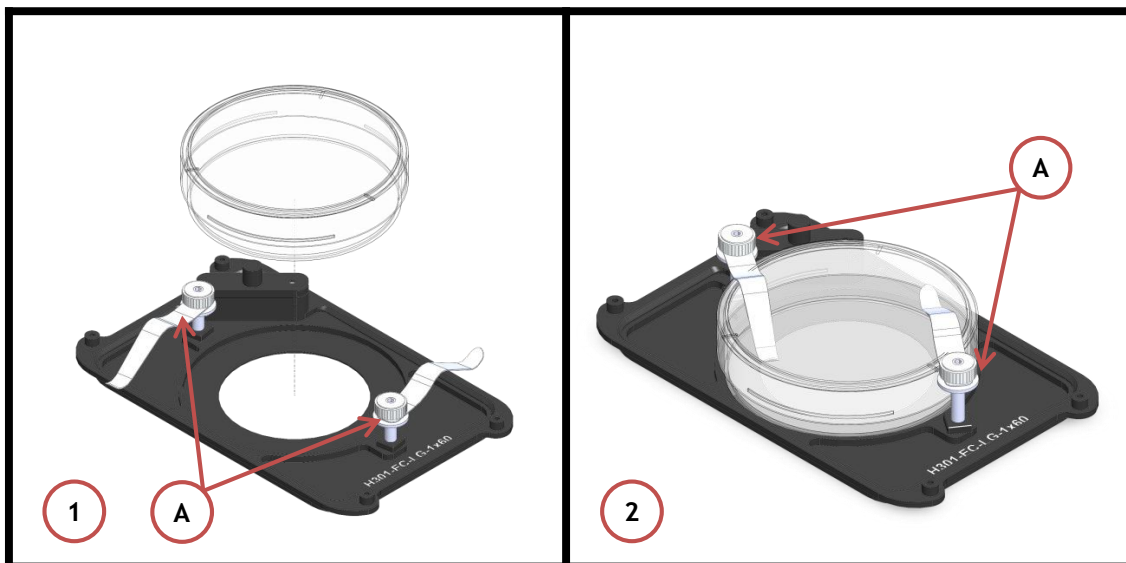


Figure 6. Plate adapter for 60 mm Petri-dish holder.

6. Working with 1x3'' and 1x2'' chamber slides

Flat springs prevent movement of 1''x 3'' and 1''x 2'' chamber slides inside of the sample holder.

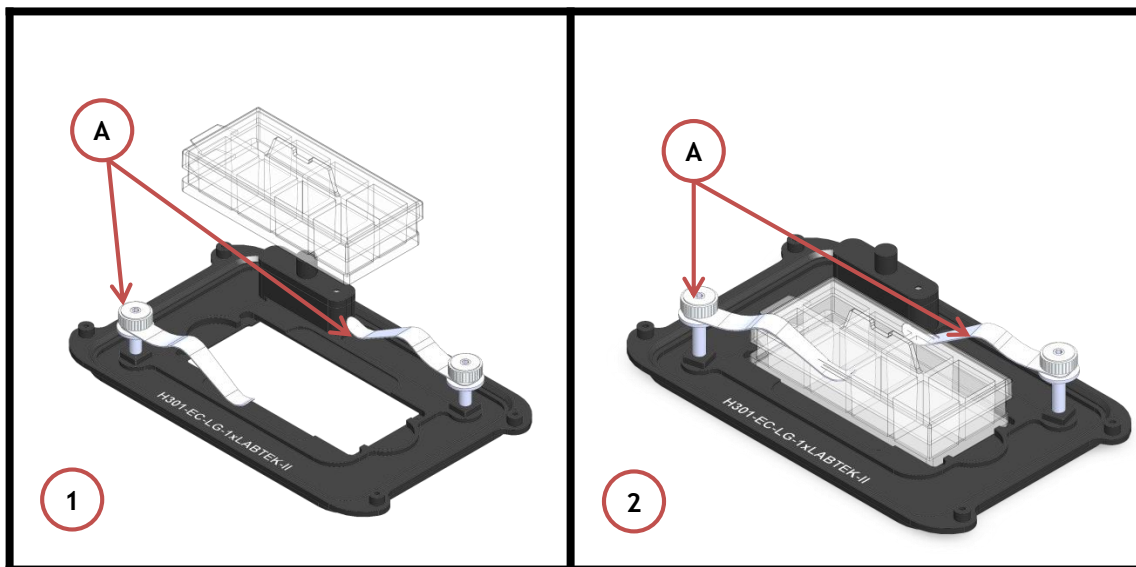


Figure 7. Plate adapter for Lab-TeK 1''x2'' chambered cover glass holder.

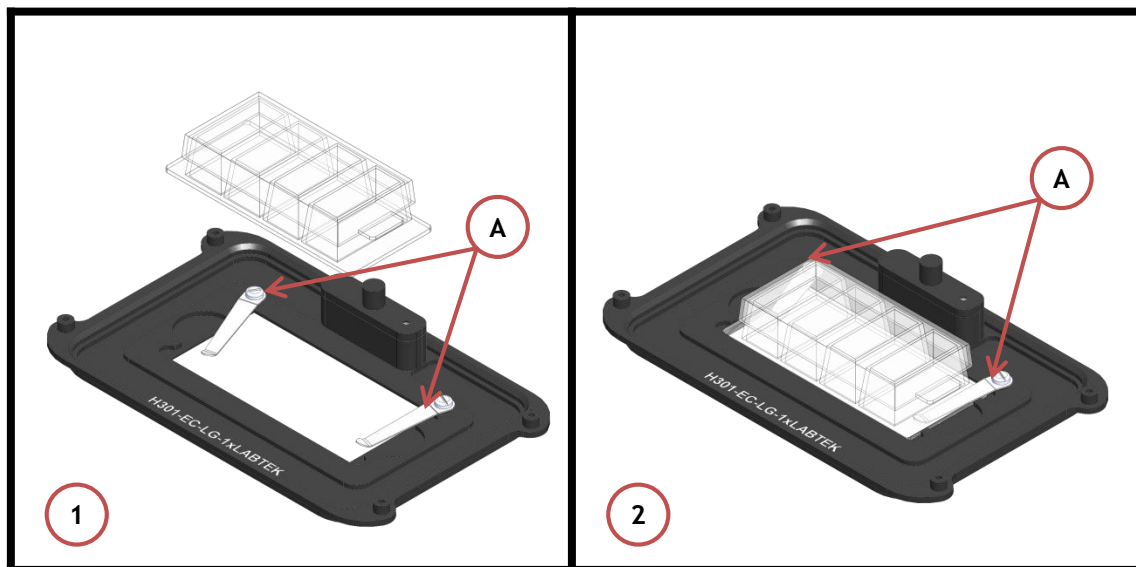


Figure 8. #1 Plate adapter for Lab-TeK II 1''x2'' chambered cover glass holder

7. Connecting the Gas Supply

A single silicon tubing carries output gas from the Okolab Gas Controller to the H301-EC-LG-BL. Silicon tubing connects to a gas input - brass opening - located on a corner of the H301- EC-LG-BL. See Figure 9. Connect by gently pushing silicon tubing onto brass opening.

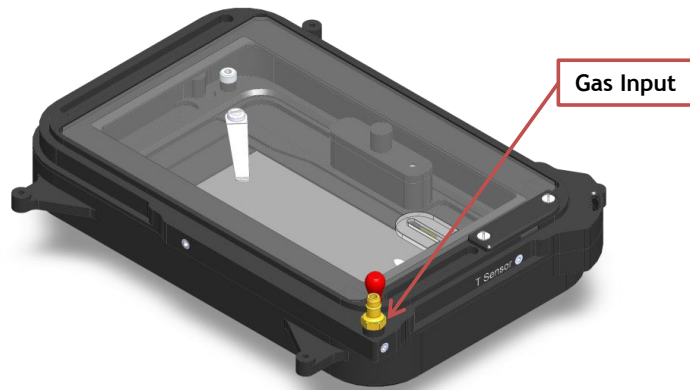


Figure 9. Connection with gas supply.

8. Working with Perfusion

The H301-EC-LG-BL features 4 perfusion holes on the sides for the insertion of perfusion tubing up to 2.0 mm in outer diameter. Small screws plug the perfusion holes when not in use. (Grub screws M3x6). Remove small screws as necessary before introducing perfusion tubing.

Figure 10 shows the location of perfusion holes.

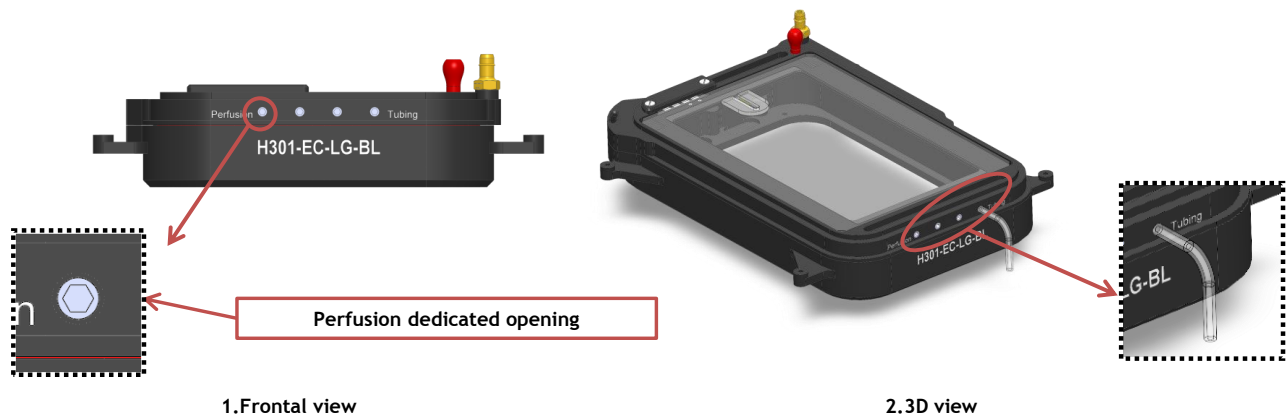


Figure 10. Perfusion

9. Connecting the Chamber with Super Z-Galvo stage

H301-EC-LG-BL fits on the Super Z-Galvo stage. It can be screwed on the Galvo Stage as shown in Figure 11; place the chamber on the stage and screw the four slotted head pan screws. Screws housings are indicated with letter A in Figure 11.

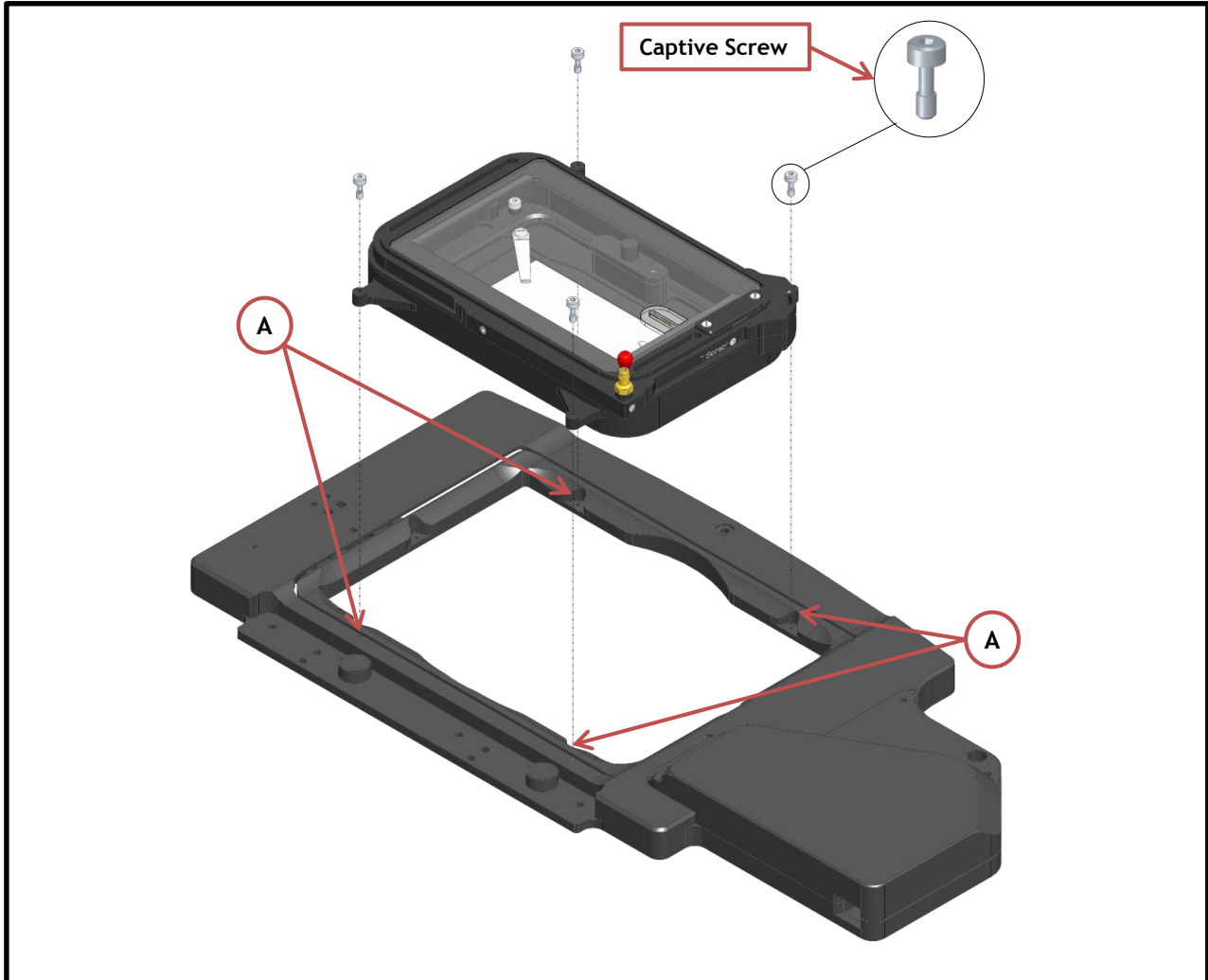


Figure 11. How to fix the H301-EC-LG-BL on the Super Z Galvo stage